

K Rotary Draw Latch

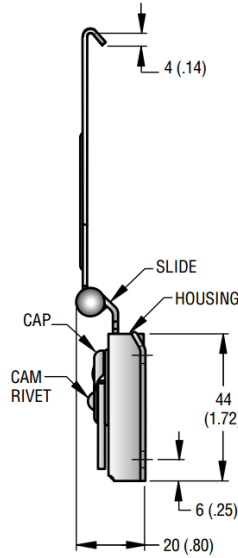
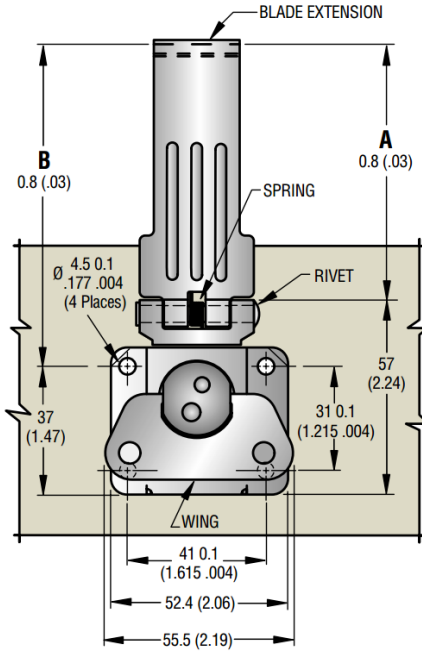
Extended blade

Features

- Key-lockable, small wing or large wing available
- Blade swings open when unlatched
- Accommodates off-plane latching

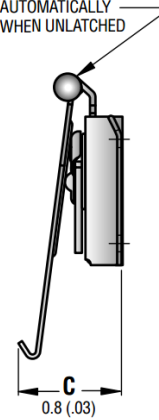


Small Wing



DIMENSIONS			PART NUMBERS
A	B	C	
49.7 (1.96)	69.6 (2.74)	25.6 (1.01)	K4-4004-07-1

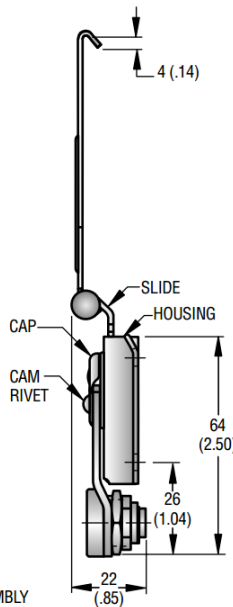
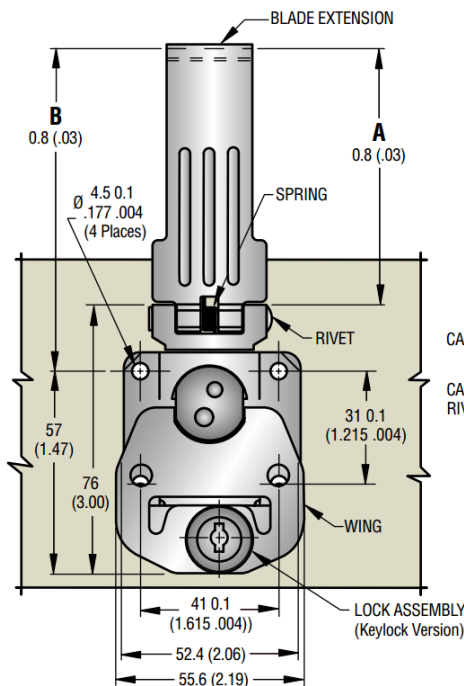
NOTE: SPRING LOADED
BLADE FOLDS BACK
AUTOMATICALLY
WHEN UNLATCHED



Material

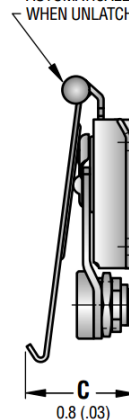
- Housing, slide and blade extension: 4130 hardened steel, zinc plated plus bright chromate dip
- Spring and cap: 302 series stainless steel, natural
- Wing and lower cam: 1020 steel, zinc plated bright chromate dip
- Upper cam: 304 series stainless steel, natural

Large Wing



DIMENSIONS			PART NUMBERS KEY LOCK VERSION
A	B	C	
66.3 (2.61)	85.3 (3.36)	30.2 (1.19)	K4-4024-07-3
69.3 (2.73)	89.1 (3.51)	30.7 (1.21)	K4-4024-07-4
72.6 (2.86)	92.2 (3.63)	31.5 (1.24)	K4-4024-07-5

NOTE: SPRING LOADED
BLADE FOLDS BACK
AUTOMATICALLY
WHEN UNLATCHED



Material

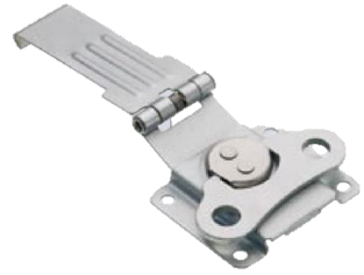
- Housing, slide and blade extension: 4130 hardened steel, zinc plated plus bright chromate dip
- Spring and cap: 302 series stainless steel, natural
- Wing and lower cam: 1020 steel, zinc plated bright chromate dip
- Upper cam: 304 series stainless steel, natural
- Lock plug: Die cast zinc, bright chrome plated
- Pawl: Low carbon steel, zinc plated plus chromate dip

K Rotary Draw Latch

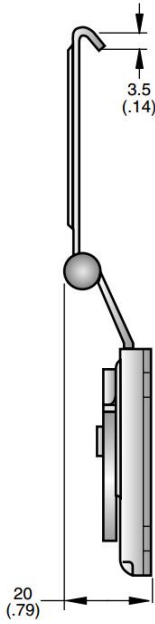
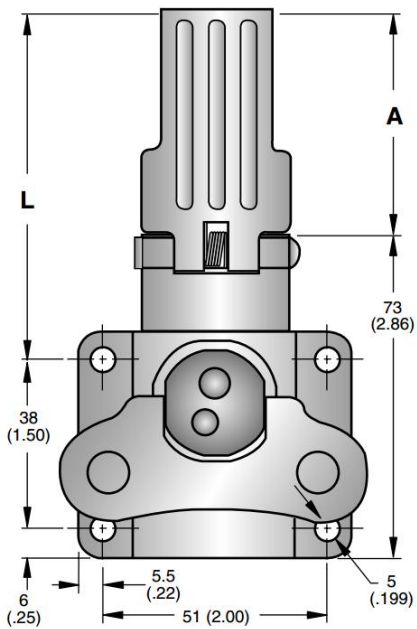
Extended blade

Features

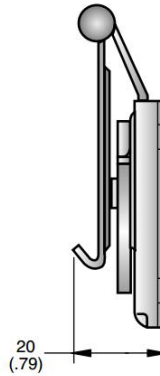
- Blade swings open when unlatched
- Latch can be recessed into a panel
- Accommodates off-plane latching



Series S-2000



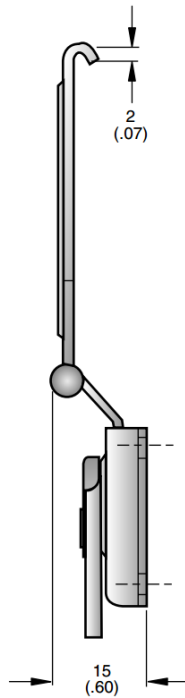
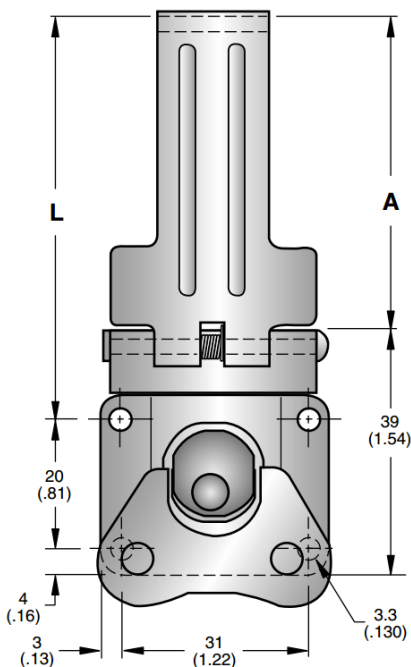
DIMENSIONS		PART NUMBERS
A	L	
51 (2.00)	79 (3.11)	K5-1974-07
63 (2.47)	91 (3.58)	K5-2200-07
67 (2.63)	95 (3.74)	K5-2207-07
70 (2.75)	98 (3.86)	K5-2242-07
76 (3.00)	104 (4.11)	K5-2216-07



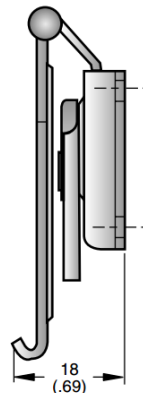
Material

- Housing, slide and blade extension: Hardened alloy steel, zinc plated plus bright chromate dip
- Cap, cam rivet and springs: 300 series stainless steel
- Upper cam: 300 series stainless steel

Series S-3000



DIMENSIONS		PART NUMBERS
A	L	
54 (2.13)	69 (2.70)	K3-2436-07
67 (2.63)	81 (3.20)	K3-2468-07



Material

- Housing, slide and blade extension: Hardened alloy steel, zinc plated plus bright chromate dip
- Cap, cam rivet and springs: 300 series stainless steel
- Upper cam: Carbon steel, zinc plated plus bright chromate dip

southco®

We are proud to be Southco's authorized distributor of over 20 years